

Network Isolation Transformer

HIT-100



Outline

- RoHS compliance
- Operating temperature · Humidity
10~40°C 30~85% (No dew condensation)
- Storage temperature · Humidity
-20~65°C 10~95% (No dew condensation)
- 100BASE-TX compatible
- US Patent No. 6974905
- IEC60601-1 Recognized



Application

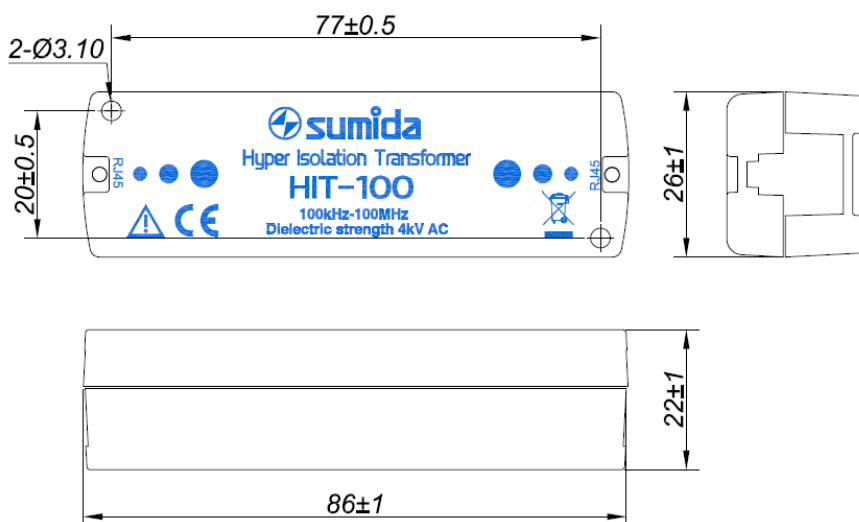
Network separation device HIT-100 (Hyper Isolation Transformer) , in a network environment, such as medical facilities, is a high-performance isolation transformer in order to prevent electric shocks to the operator and patients that are connected to the electronic medical equipment.

This product (adapted separator safety General Rules IEC60601-1-1 medical electrical equipment) interrupts the electric current by the potential difference to occur between a leak electric current and the grounds from other electric apparatuses by separating the transmission signal with a medical service electric apparatus and other electric apparatuses electrically.

In addition, it is possible to reduce the common mode noise generated in the LAN cable, and this noise can prevent malfunction or failure of the electrical equipment by the cause.

- Used Equipment : PC、HUB、Ruter and communication equipment

Dimensions (Unit : mm)



Note: This specification is subject to change without notice. Please contact your nearest sales office for updated information when placing an order.

Network Isolation Transformer

HIT-100

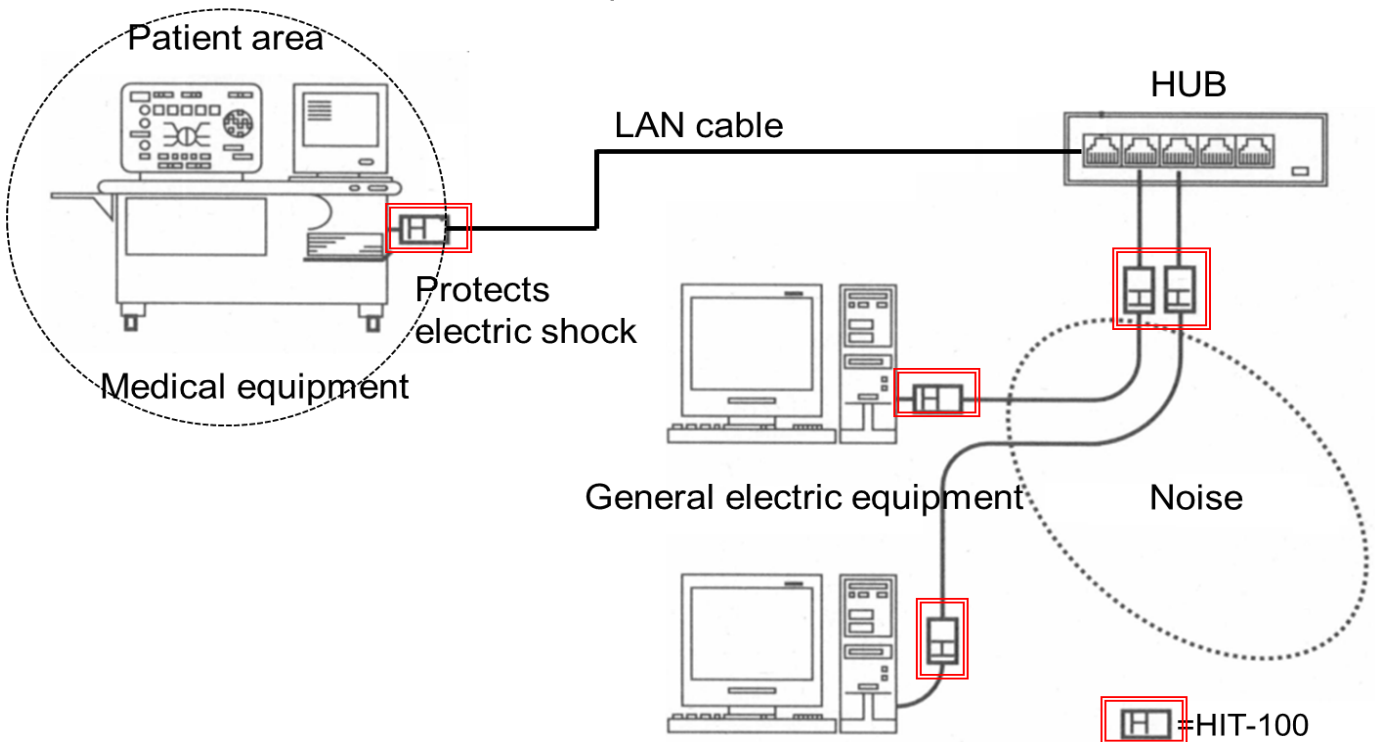


Electric characteristic

Impedance	100Ω : 100Ω (RJ-45)
Input Voltage	3V rms MAX
Frequency Response	100kHz - 100MHz (Max 1dB)
Return Loss	1MHz - 100MHz (Min. 20dB)
Dielectric Strength	In-Out AC 4kV(1Minut)
In-Out Capacitance	Max. 40pF
Creepage Distance	Min. 8mm
Clearance	Min. 5mm

Example

Reduces common mode noise & protects electric shock



For sales office information, please [click here](#) to visit our website.