

Type: CBM64

Customer: USI

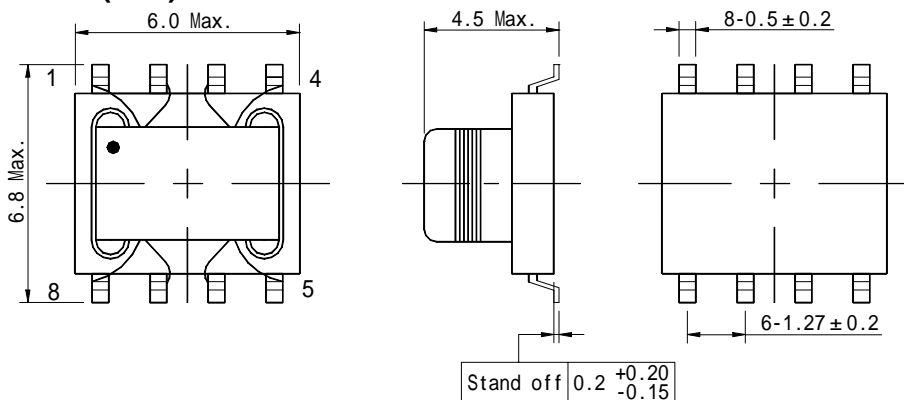
Product Description

- 6.8×6.0mm Max.(L×W),4.5mm Max. Height.

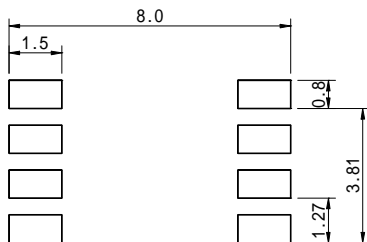
Feature

- Balance-unbalance transformer,common mode choke.
- Ideally used in EMC and balance-unbalance converter circuit, CPU charging, CATV signal transfer.
- RoHS Compliance.

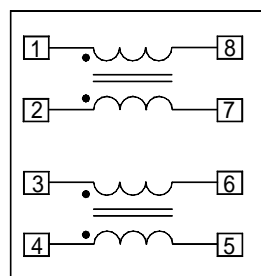
Dimensions (mm)



Land Pattern (mm)



Schematics(Bottom)



Specification

Sample Name	Impedance (1,2-7,8), (3,4-5,6) at 100MHz	D.C.R. (1-8), (2-7), (3-6), (4-5)	Rated current (1-8), (2-7), (3-6), (4-5)	Insulation resistance (1,8-2,7) (3,6-4,5) DC 100V	HI-POT (1,8-2,7) (3,6-4,5) 1s.
05MMS039	90Ω±25%	0.06Ω Max.	500mA	100MΩ Min.	100V DC