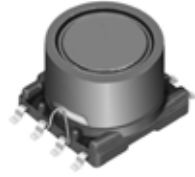
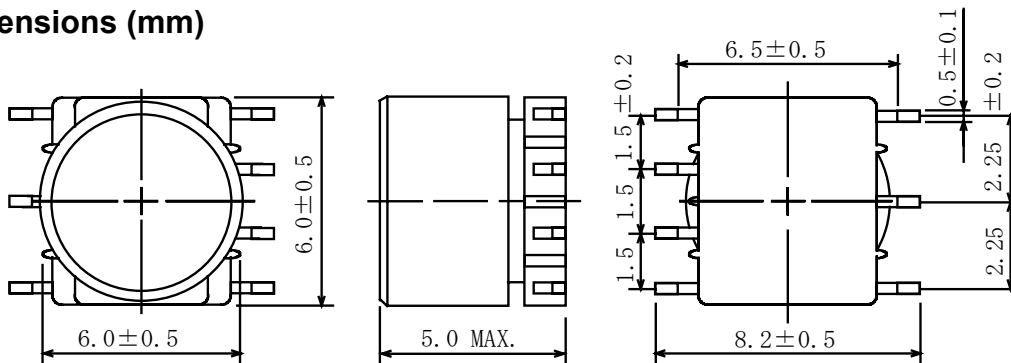
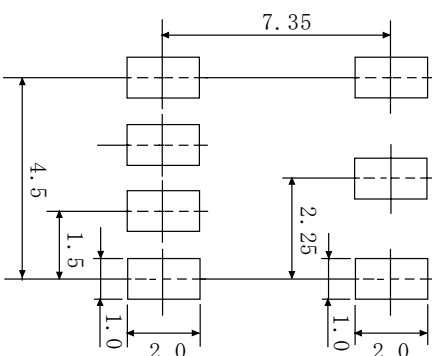


Type: CMD-6L
◆ Product Description

- 6.5×6.5mm Max.(L×W), 5.0mm Max. Height.
- Inductance range: 22 μH~1.0mH
- Rated current range: 83mA~560mA
- 7 Terminal pins' type gives a flexible design as inductors or transformers.
- Custom design is available.

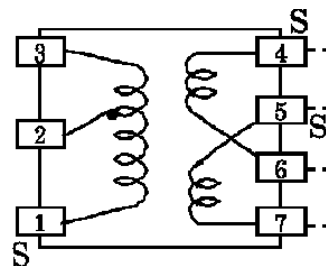

◆ Feature

- Magnetically shielded construction.
- Ideally used in DSC/DVC, LCD TV, DVD, Game machine, STB, Projector, Power supply module etc as DC-DC Converter inductors or transformers.
- RoHS Compliance

◆ Dimensions (mm)

◆ Land Pattern (mm)

◆ Specification (for transformers)

Sample No.	Inductance (1-3) 1kHz
S1673900	1.25mH±35%

※Schematics (Bottom)



"S" is winding start

Type: CMD-6L
◆ Specification (for inductors)

Part Name ※	Stamp	Inductance (μH) ※1	D.C.R.(Ω) [Max.] (20°C)	Qu [Min.] ※1	S.R.F. (MHz) [Min.]	Rated Current (mA) ※2
CMD6LNP-220M□	220M	22 ± 20%	0.2	30	25	560
CMD6LNP-270M□	270M	27 ± 20%	0.23	31	23	500
CMD6LNP-330M□	330M	33 ± 20%	0.3	32	20	450
CMD6LNP-390M□	390M	39 ± 20%	0.32	31	18	420
CMD6LNP-470M□	470M	47 ± 20%	0.37	31	17	380
CMD6LNP-560M□	560M	56 ± 20%	0.46	31	14	350
CMD6LNP-680M□	680M	68 ± 20%	0.52	31	13	320
CMD6LNP-820M□	820M	82 ± 20%	0.58	26	11	290
CMD6LNP-101M□	101M	100 ± 20%	0.89	41	11	260
CMD6LNP-121M□	121M	120 ± 20%	1.06	41	9.9	240
CMD6LNP-151M□	151M	150 ± 20%	1.11	45	9.3	210
CMD6LNP-181M□	181M	180 ± 20%	1.62	41	8.1	200
CMD6LNP-221M□	221M	220 ± 20%	1.86	41	7.5	180
CMD6LNP-271M□	271M	270 ± 20%	2.14	45	6.7	160
CMD6LNP-331M□	331M	330 ± 20%	2.91	45	6.2	140
CMD6LNP-391M□	391M	390 ± 20%	3.28	48	5.6	130
CMD6LNP-471M□	471M	470 ± 20%	3.72	48	5.3	120
CMD6LNP-561M□	561M	560 ± 20%	4.63	49	4.4	110
CMD6LNP-681M□	681M	680 ± 20%	5.27	50	4.2	100
CMD6LNP-821M□	821M	820 ± 20%	5.98	54	3.8	91
CMD6LNP-102M□	102M	1000 ± 20%	8.57	52	3.4	83

※ Description of part name

CMD6LNP-220M□

- B Box
- C Carrier Tape

※ 1. Measuring Frequency:

Inductance	Qu
22 μH ~ 82 μH	at 2.52MHz
100 μH ~ 1.0mH	at 1kHz

※ 2. Rated current: The D.C. current at which the inductance decreases to 90% of it's initial value or when $\Delta t=40^\circ\text{C}$, whichever is lower ($T_a=20^\circ\text{C}$).

※ Schematics (Bottom)
