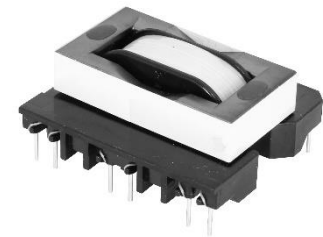


# PIN type Transformer / Automotive grade EPH2913



## Feature

- High isolation transformer for IGBT gate drive
- Low profile
- High power density / High withstand voltage



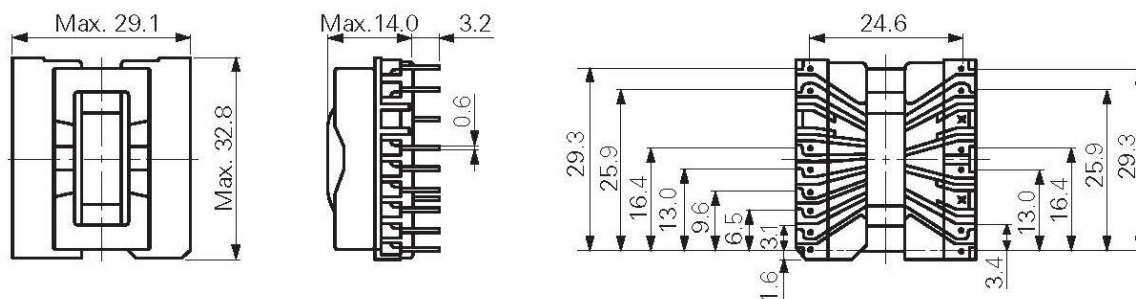
## Application

- Main inverter for IPM motor in xEV/EV (Centralized type)
- AUX power supply for
  - \* Power control unit
  - \* On board charger
  - \* DC-DC converter
- DC quick charger
- Commercial / Industrial and Medical equipment
- 

*Custom design Available*

## Dimensions

- Size (L x W x H): 29.1mm x 32.8mm x 14.0mm (Max)
- Number of terminals (Max): 8/8 (Primary/Secondary)



## Electrical characteristic (In general)

- Topology: Flyback converter
- Operating frequency 500 kHz (Max)
- Operating Power 8.0W (@ 100 kHz)
- Withstand voltage : 1500Vrms / 1min (\* Will be designed for your withstand voltage request)
- Operating temperature range : - 40°C~+ 125°C (\*including self-heating)

## Reliability

- Comply with AEC-Q200
- RoHS 2 Compliance

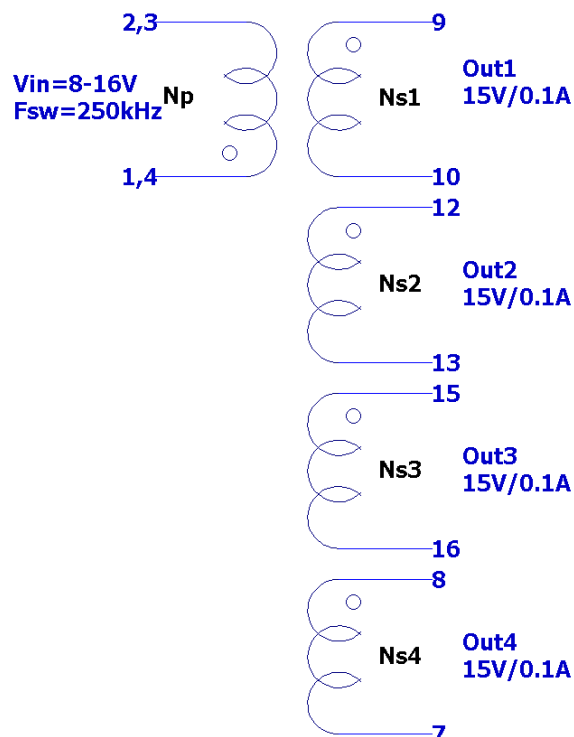
Note : This specification is subject to change without notice. Please contact your nearest sales office for updated information when placing an order.

# PIN type Transformer / Automotive grade EPH2913



## 【Design Example】

AUX power supply for IGBT gate drive in PCU / Flyback converter



*Schematic of transformer winding*

## ELECTRICAL CHARACTERISTICS(at 25°C)

ITEM	PIN	SPECIFICATION	MEASURING CONDITIONS
INDUCTANCE	(1,4-2,3)	8.9 uH (Ref)	100kHz/1V
Leakage inductance	(1,4-2,3)	53 nH (Ref)	100kHz/1V
Turn Ratio	(Np/ Ns1/ Ns2/ Ns3)	1/ 1.2 / 1.2/ 1.2	
Withstand voltage	(Pri-Sec)	AC1500V/1min	50/60Hz

\* OPERATING TEMPERATURE RANGE: -40°C~125°C . (INCLUDING TEMPERATURE RISE).

\* STORAGE TEMPERATURE RANGE: -40°C~125°C



For sales office information, please [click here](#) to visit our website.

Note : This specification is subject to change without notice. Please contact your nearest sales office for updated information when placing an order.