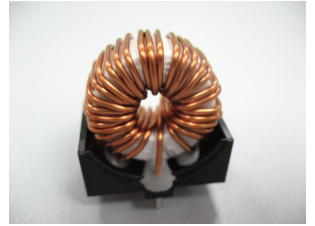
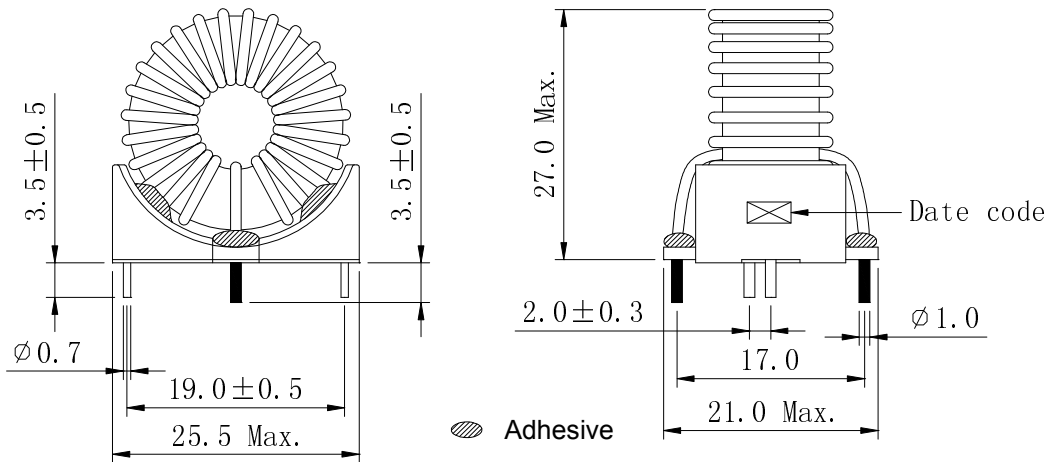
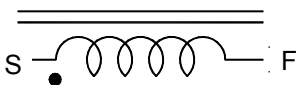


Type: PFN2026
◆ Description

- Amorphous core used.
- Custom design is available.


◆ Feature

- Max. operating frequency: 300KHz.
- Storage temperature range: -40°C~+105°C.
- Operating temperature range: -40°C~+105°C (including coil's self-heat).
- Product weight: 18.5 g(Ref.).
- Ideally used in car radio etc.
- RoHS Compliance.

◆ Dimensions (mm)

◆ Schematics (Bottom)

◆ Specification

Sample No.	Inductance (S-F) 1KHz,1V	Inductance (S-F) 1KHz,1V,DC 1A	D.C.R. (S-F)
PS08-029	400μH Min.	350μH Min.	30.0mΩ Max.